

ARCH BOLLARD INSTALLATION INSTRUCTIONS

NOTE: THESE INSTRUCTIONS MUST NOT CONTRAVENE YOUR LOCAL ELECTRICAL AUTHORITY REGULATIONS, WITH WHICH ALL INSTRUCTIONS HERE IN MUST COMPLY. PLEASE KEEP INSTRUCTIONS FOR FUTURE REFERENCE.

Remove the complete fixture from the packaging.

Discard the packing in an environmentally friendly way.

Once your mounting substrate is prepared with the cabling coming through at the correct location, Mount the ground bracket to the substrate. For concrete use dynabolts, Wooden decking requires standard bolts.

The Ground bracket should have the side bolts parallel to the walkway or path you are illuminating.

Mount the driver to the ground bracket if it is not already fitted.

Make water proof connections on your primary and secondary driver cables taking care to seal all insulation layers.

If 0-10V dimming is being used draw dimming cable up through the pole and connect to purple and grey dimming wires on the driver.

(See Fig.2).

Fit the luminaire over the ground bracket and finish by fitting the side bolts firmly.

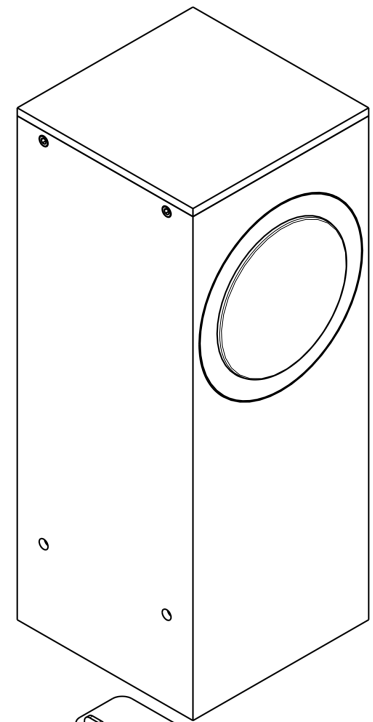


Fig.1.

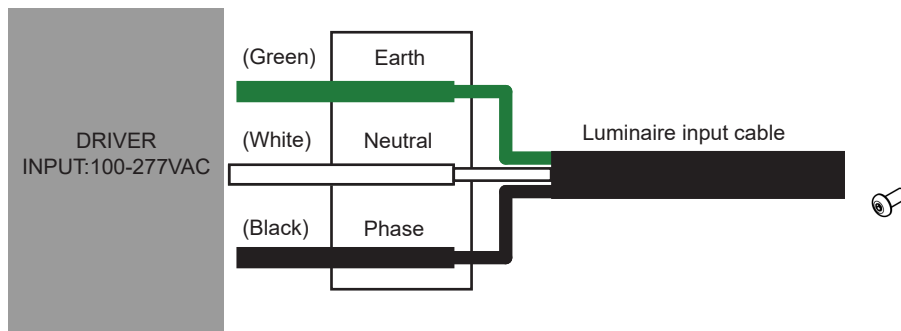
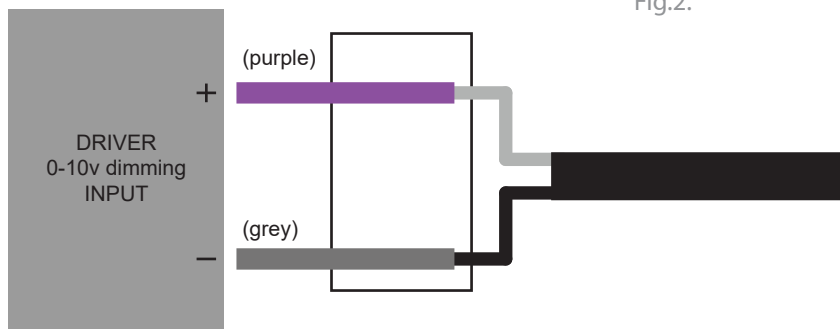


Fig.2.



DO NOT water blast/jet wash this fixture under any circumstance.