

ST100RGBW SAFE TOUCH

PROJECT:

TYPE:

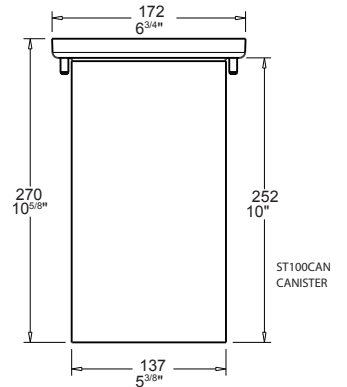
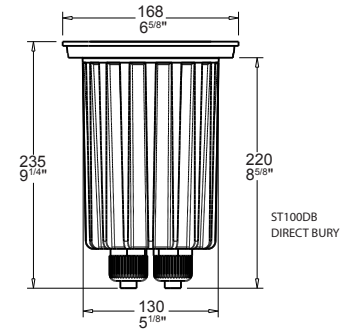
SOURCE:

NOTES:

SPECIFICATIONS

IK10 **IP68** **CE** **UL LISTED**

LED Chip	LED ENGIN LZP RGBW field replaceable LED board
Luminaire Output	1400 total Lumens @ 350mA (26 watts) All colours on, Delivered from Luminaire with unobstructed beam.
Lumens Per Watt	54 Lumens minimum @ 26 watts, Delivered from Luminaire with unobstructed beam
CRI (6500K)	RGBW (White 75)
Colour Temperatures	RGBW (White CCT 6500)
Beam Angles	13, 30, 40
Ingress Protection	IP68 *not for use in pool or ponds
Warranty	Electronics = 5 years Body Aluminium = 5 years
Standards	cUL 2108 CE



PRODUCT CONFIGURATION

Please fill in appropriate codes into boxes provided

Cat. No. ST100RGBW

Luminaire

ST100RGBWDB
ST100RGBWSC

Power

SR

SR 350mA Input, Series Wired 26W

SERIES REMOTE:

Constant current 4 channel
DMX / DALI driver (included)
Fixture require 20vdc per
channel @ 350mA maximum

Material/ Finish

SBZ SOLID BRONZE
SS STAINLESS STEEL

Beam

13 13°
30 30°
40 40°

Accessories

HCL/ST100 HEX CELL LOUVRE
GS100 GLARE SHIELD
LENSAR111F FROSTED LENS
LENST100CAS ANTI SLIP LENS
CJK CABLE JOINT KIT

ADDITIONAL COMMENTS:

LUMINAIRE CONSTRUCTION

CNC machined or cast from one of the following metals:

Body - Cast from virgin high corrosion resistant, low copper content (0.001%) aluminium alloy. Finished with chromate substrate, Epoxy layer and a UV resistant polyester powder coat colour.
Colour - Black.

Flanges - Machined from either
Solid Bronze 260mm x 6mm (10^{1/4}" x 1/4")
316 Stainless Steel 260mm x 6mm (10^{1/4}" x 1/4")

All fixings are made from 316 Stainless Steel

Step Lens:

12mm (1/2") Extra clear, low iron, shatter resistant glass. Anti Slip option available. Lifetime warranty

Gaskets:

Silicone, iron impregnated 220°C (428°F)

Cable:

Water resistant rubber

Adjustability:

The gimbal is fully adjustable, allowing 360° rotation and 0-20° elevation.

Mounting:

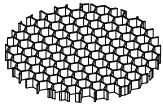
The ST100 is available with a 316 stainless steel mounting canister for casting into the ground or into concrete.

Maximum drive over speed 10 kp/h (6mp/h) with a maximum load rating of 2000kgs (4400lbs).

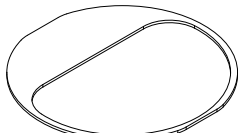
Luminaire Weight:

Stainless Steel 8kg (17lbs 10oz)
Solid Bronze 9kg (19lbs 13oz)

ACCESSORIES



Hex Cell Louvre

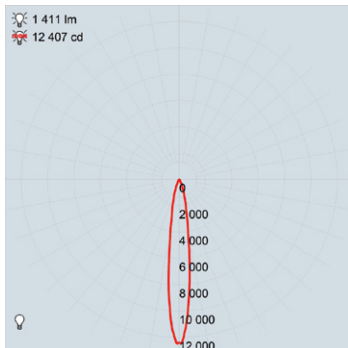


Glare Shield

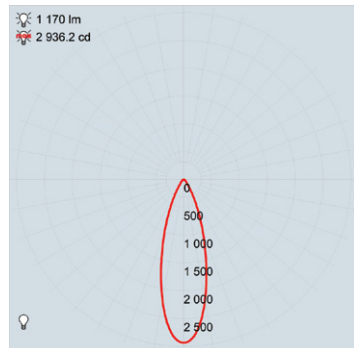
BEAM ANGLES

High efficiency Reflectors. Field replaceable

IES files available for download: hunzalighting.com/downloads



13° FWHM
TIR

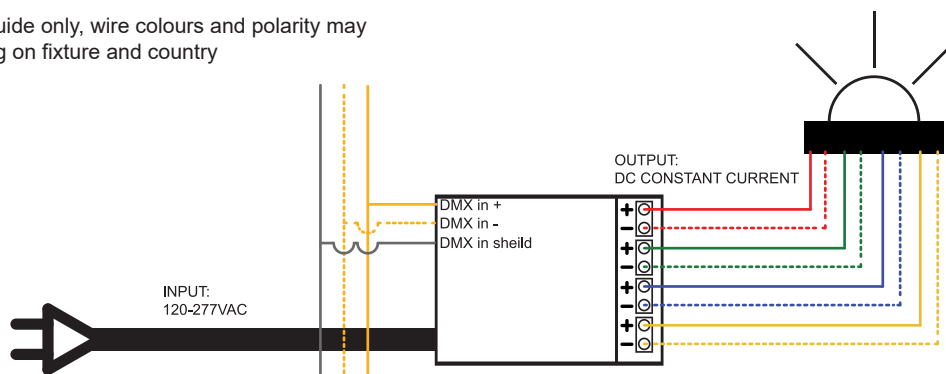


30° FWHM
TIR

WIRING GUIDE

Diagrams are a guide only, wire colours and polarity may change depending on fixture and country

Available for download: hunzalighting.com/downloads



Specifications may change without notification

Mar 2018