

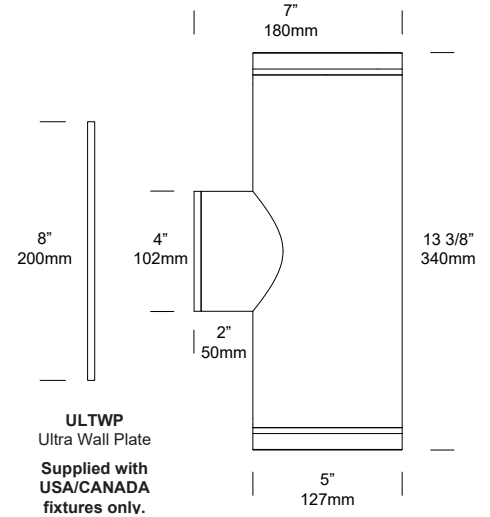
## Ultra 50 Pillar Light

|          |
|----------|
| PROJECT: |
| TYPE:    |
| SOURCE:  |
| NOTES:   |

### SPECIFICATIONS



|                     |   |
|---------------------|---|
| LED Chip            | Cree CXA 2540 field replaceable LED board         |
| Luminaire Output*   | 2800 Lumens minimum @ 700mA (26 watts)            |
| Lumens Per Watt*    | 107 Lumens minimum @ 52 watts                     |
| CRI (3000K)         | 80 Standard, 90+ Optional                         |
| LED Life Expectancy | 50,000 hours L70                                  |
| Colour Temperatures | 2700K, 3000K, 4000K, 3000K, 90+ CRI               |
| Beam Angles         | 13, 22, 33, 51                                    |
| Ingress Protection  | IP66  |
| Warranty            | Electronics = 5 years<br>Aluminium Body = 5 years |
| Standards           | BS/EN 60598.2.2<br>cUL 1598<br>CE                 |
| B Number            | 94.05   |



\*Delivered from the Luminaire with unobstructed beam

### PRODUCT CONFIGURATION

Please fill in appropriate codes into boxes provided

Cat. No. PIL/U50

| Luminaire            | Power  | Material/Finish | Beam   | Colour  | Accessories         |                         |
|----------------------|--|-----------------|--|---------|---------------------|-------------------------|
| PIL/U50              |  |                 |  |         |                     |                         |
| SR                   | Series Remote - 700mA Input, 52W Output  | ALUMINIUM       | 22 22°   | 2 2700K | CJK Cable Joint Kit |                         |
| R                    | Retro® - 120-277 VAC Input Parallel Wired  |                 | EBK BLACK  | 33 33°  | 3 3000K             | GG/U50 Glare Guard      |
|                      |  |                 | EOGR OLIVE GREEN                                       | 51 51°  | 4 4000K             | GS05 Glare Shield       |
|                      |  |                 | EWH WHITE  |         | 39 3000K, 90+ CRI   | HCL/U50 Hex Cell Louvre |
|                      |  |                 | EWB WHITE BIRCH  |         |                     | LF Frosted Lens         |
|                      |  |                 | EDG DARK GREY  |         |                     | SNT/U50 Snoot           |
|                      |  |                 | ESTAR SILVER STAR                                      |         |                     | ULTWP Wall Plate        |
|                      |  | ECT CORTEN      |  |         |                     |                         |
| SR                   | Series Remote Driver<br>Constant current driver (included, not installed).<br>Individual fixtures require:<br>74VDC @700mA (MAX)<br>(Dimming option available 0-10V)                   |                 | 13 13°<br>*Requires Lens Ring extension<br>54mm 2 1/8" |         |                     |                         |
| R                    | Retro® 110-277VAC Driver<br>Integrated constant current driver (included).<br>Input: 120, 240, 277 VAC<br>Output: 60 Watts total<br>74VDC @ 1400mA<br>(Dimming option available 0-10V) |                 |  |         |                     |                         |
| Additional Comments: |  |                 |  |         |                     |                         |

\*Due to continued product enhancements, specifications may change without notification.

# LUMINAIRE CONSTRUCTION

**CNC machined from one of the following metals:**

**Aluminium:**

Base: 105mm (4 1/8") solid aluminium rod.  
Body: 127mm (5") high corrosion resistant aluminium tube with chromate substrate and high UV resistant polyester powder coat.

Colours: Black, Bronze, Silver Star, White, White Birch, Olive Green, Dark Grey, Corten.

**Cable:**

Water resistant rubber SWOOJ cable with HUNZA™ Anti-Syphon™ barrier system

**Gaskets:**

Silicone, iron impregnated 220°C (428°F).

**Step Lens:**

12mm (1/2") extra clear, low iron, shatter resistant glass.

Lifetime warranty.

**Mounting:**

The mounting plate is fixed to the surface using three stainless steel screws. The luminaire is then fixed to the mounting plate.

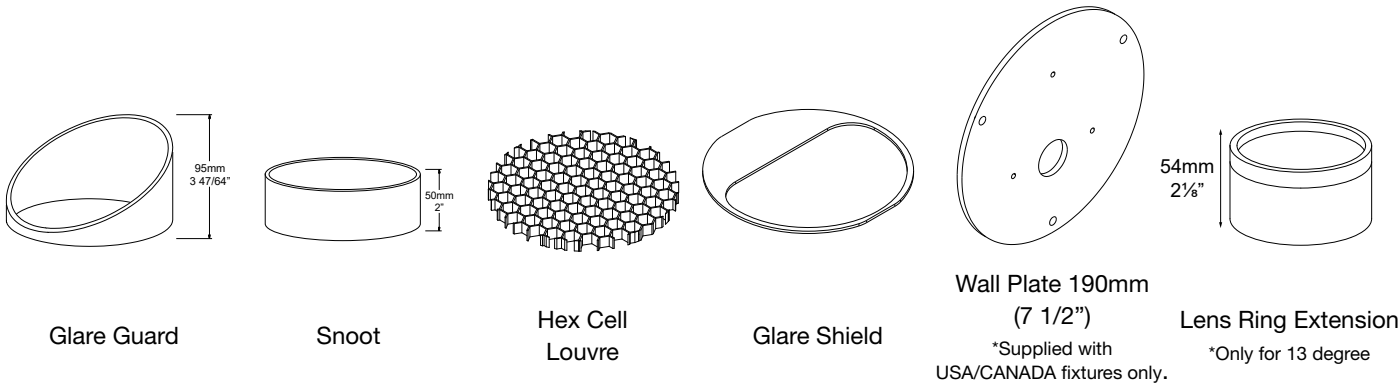
Large Wall Plate is available for mounting over junction boxes. For use in USA and Canada.

**Luminaire Weight:**

8kg (17lb 10oz)



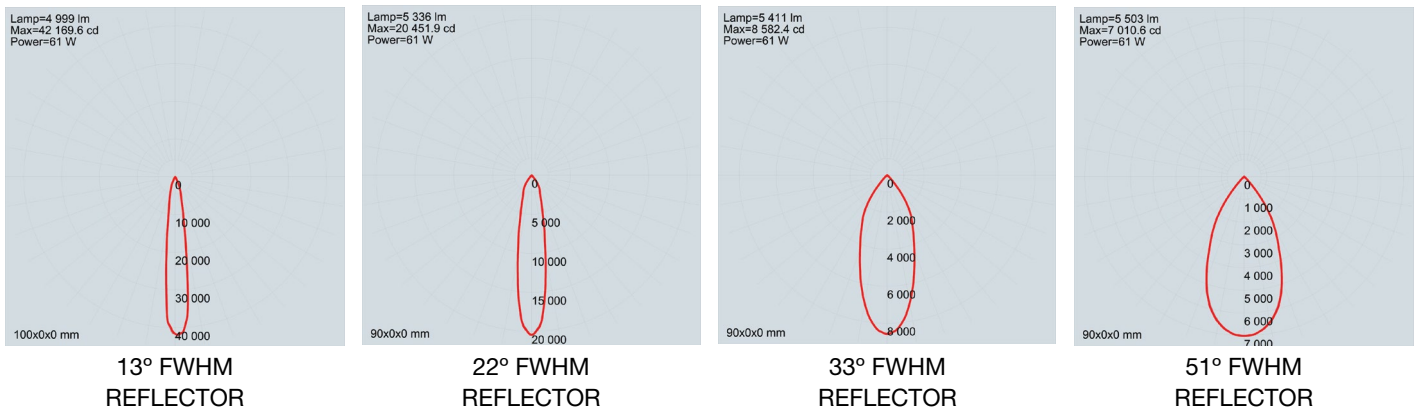
## ACCESSORIES



## BEAM ANGLES

High efficiency Reflectors. Field replaceable

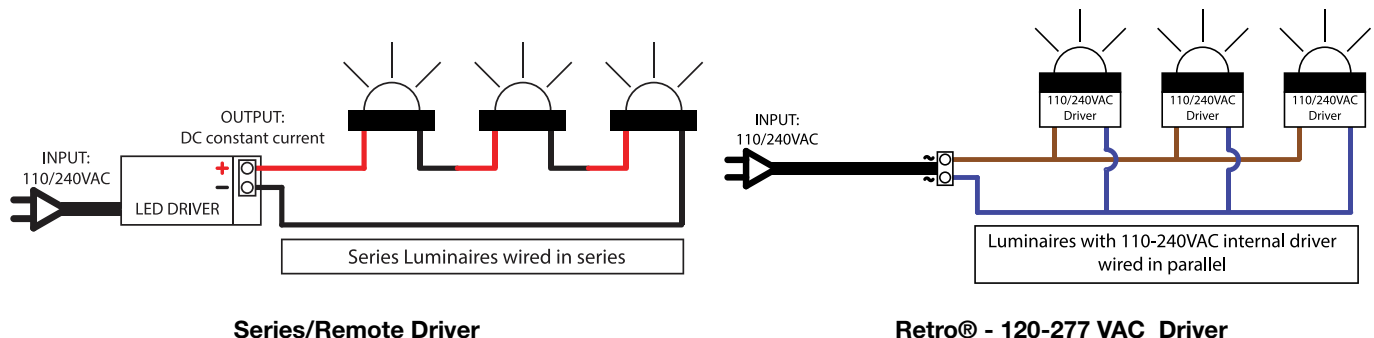
IES files available for download: [hunzalighting.com/downloads](http://hunzalighting.com/downloads)



## WIRING GUIDE

Available for download: [hunzalighting.com/downloads](http://hunzalighting.com/downloads)

**NOTE: Diagrams are a guide only, wire colours and polarity may change depending on fixture and country.**



\*Due to continued product enhancements, specifications may change without notification.



**HUNZA LIGHTING**  
130 Felton Mathew Ave  
Saint Johns  
Auckland 1072  
New Zealand

Ph: +64-9-528 9471  
Fax: +64-9-528 9471  
hunza@hunza.co.nz  
www.hunzalighting.com

**INTERNATIONAL CONTACTS:**  
[www.hunzalighting.com/contact](http://www.hunzalighting.com/contact)

This document contains proprietary information of Hunza™. Its receipt or possession does not convey any rights to reproduce or disclose its content.