

## Ultra 35 RGBW Spot Light

PROJECT:

TYPE:

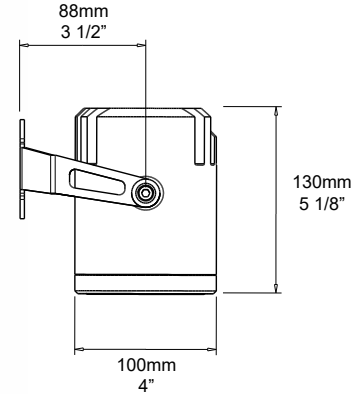
SOURCE:

NOTES:

### SPECIFICATIONS



LED Chip	LedEngin LZP RGBW field replaceable LED board
Luminaire Output	1400 total Lumens @ 350mA (26 watts) all colours on, delivered from the Luminaire with unobstructed beam
Lumens Per Watt	54 Lumens minimum @ 26 watts, delivered from Luminaire with unobstructed beam
CRI (6500K)	RGBW (White 75)
Colour Temperatures	RGBW (White CCT 6500)
Beam Angles	13, 30, 40
Ingress Protection	IP66
Warranty	Electronics = 5 years Aluminium Body = 5 years
Standards	BS/EN 60598.2.2 cUL 2108 CE



\*The Ultra 35 Spot must be specified with a mounting accessory.

### PRODUCT CONFIGURATION

Please fill in appropriate codes into boxes provided

Cat. No. S/U35/RGBW

Luminaire	Power	Material/Finish	Beam	Colour	Accessories
S/U35/RGBW					
SR	350mA Input, Series Wired 26W	ALUMINIUM	13 13° 30 30° 40 40°	RGBW	CJK Cable Joint Kit HCL/U35 Hex Cell Louvre ULT35GG Glare Guard ULT35SNT Snoot
<b>SR</b> SERIES REMOTE DRIVER INCLUDED, SUPPLIED AND PRICED SEPARATE TO FIXTURE:  PLEASE SPECIFY ONE OF THE BELOW:  <b>SRPC-2108-150CCF</b> <a href="#">Click here for specification sheet.</a>  <b>PWR106S1</b> <a href="#">Click here for specification sheet.</a>		EBK BLACK EBZ BRONZE EOGR OLIVE GREEN EWH WHITE EWB WHITE BIRCH EDG DARK GREY ESTAR SILVER STAR ECT CORTEN			<b>Mounting Options</b> *Luminaire must be specified with a mounting accessory.  PB/U35 Pole Bracket* ULT35SPK Hex Cell Louvre* ULT35WP Wall Plate*

Additional Comments:

\*Due to continued product enhancements, specifications may change without notification.

# LUMINAIRE CONSTRUCTION

**CNC machined from one of the following metals:**

**Aluminium:**

Body: 101mm (4") high corrosion resistant aluminium rod with chromate substrate and high UV resistant polyester powder coat.

Colours: Black, Bronze, Silver Star, White, White Birch, Olive Green, Dark Grey, Corten.

**316 Stainless Steel:**

Bracket: laser cut and folded 316 stainless steel.

**Adjustability:**

The fully adjustable head allows 360 degree rotation and 0-120 degree elevation.

**Cable:**

Water resistant rubber.

**Gaskets:**

Silicone, iron impregnated 220°C (428°F).

**Step Lens:**

12mm (1/2") extra clear, low iron, shatter resistant glass. Lifetime warranty.

**Mounting:**

The mounting bracket is fixed to the surface using two stainless steel screws.

Pole Bracket - mount to pre-installed poles.

Spike - mount into the earth/soft ground.

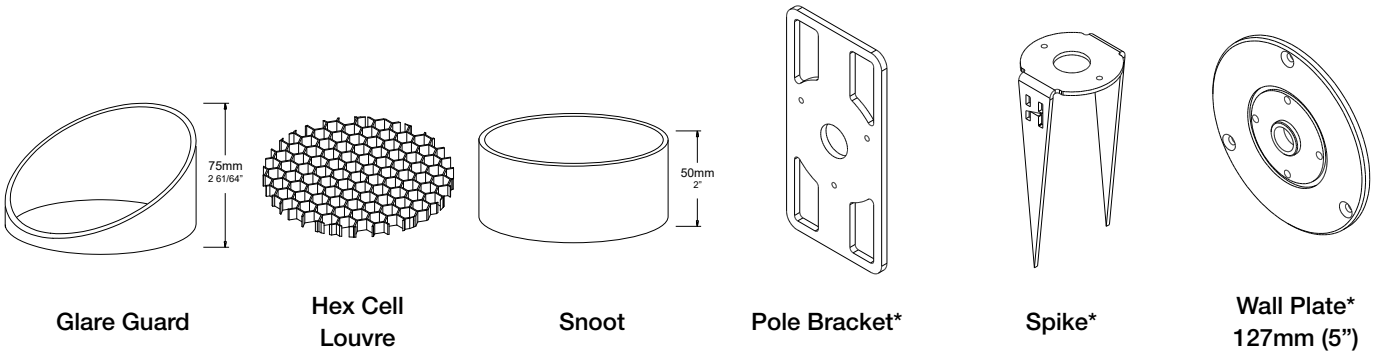
Wall Plate - mount over junction boxes.

**Luminaire Weight:**

4kg (9lb)

## ACCESSORIES

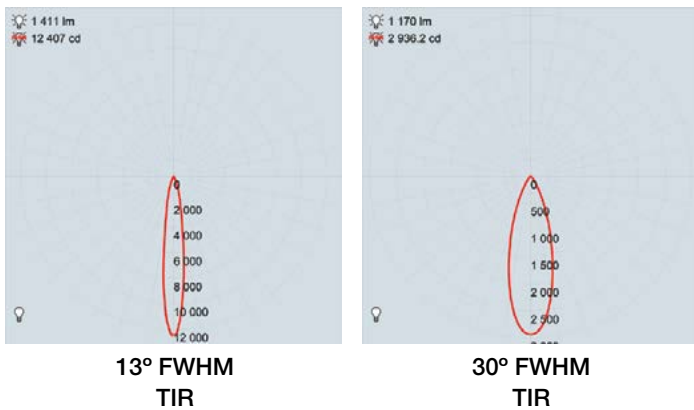
\*Luminaire must be specified with a mounting accessory.



## BEAM ANGLES

High efficiency Reflectors. Field replaceable

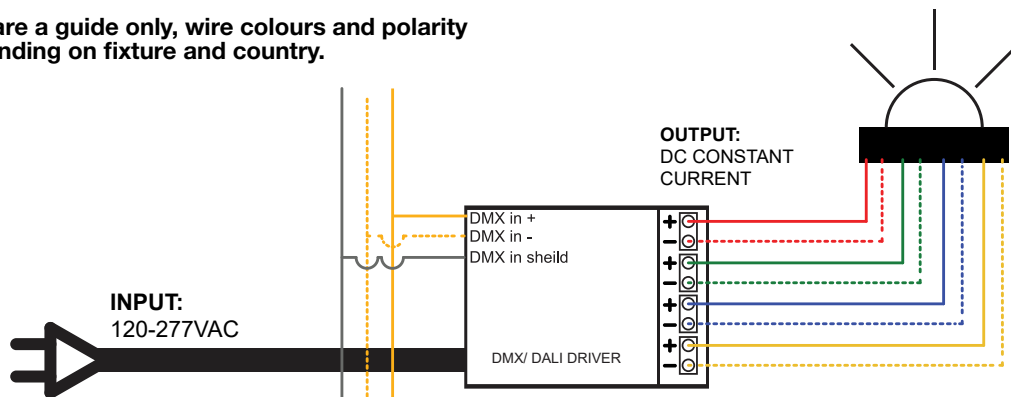
IES files available for download: [hunzalighting.com/downloads](http://hunzalighting.com/downloads)



## WIRING GUIDE

Available for download: [hunzalighting.com/downloads](http://hunzalighting.com/downloads)

**NOTE:** Diagrams are a guide only, wire colours and polarity may change depending on fixture and country.



\*Due to continued product enhancements, specifications may change without notification.



**HUNZA LIGHTING**  
130 Felton Mathew Ave  
Saint Johns  
Auckland 1072  
New Zealand

Ph: +64-9-528 9471  
Fax: +64-9-528 9471  
hunza@hunza.co.nz  
www.hunzalighting.com

**INTERNATIONAL CONTACTS:**  
[www.hunzalighting.com/contact](http://www.hunzalighting.com/contact)

This document contains proprietary information of Hunza™. Its receipt or possession does not convey any rights to reproduce or disclose its content.