

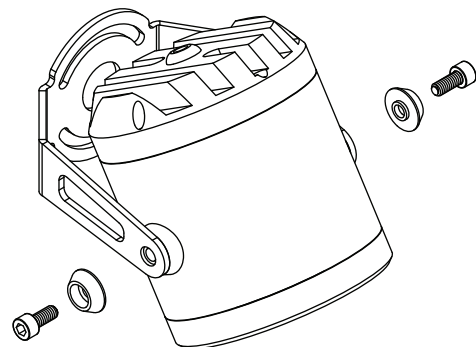
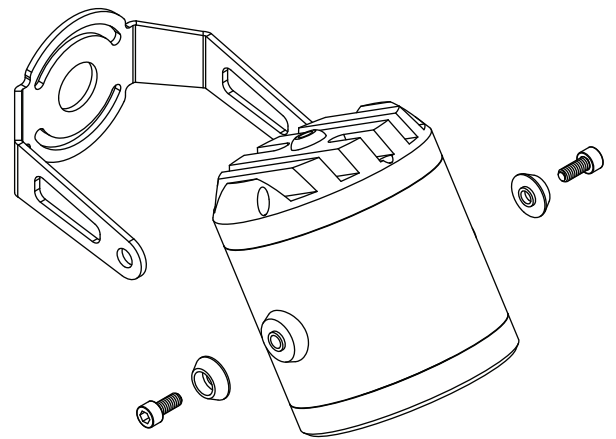
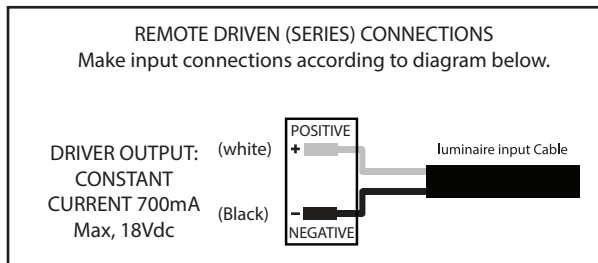
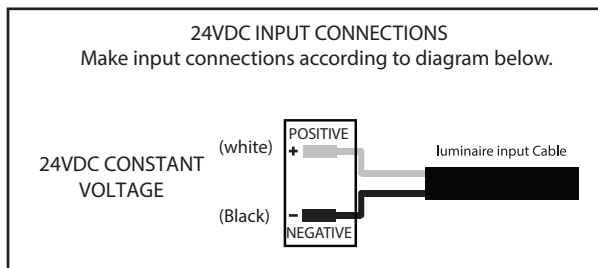
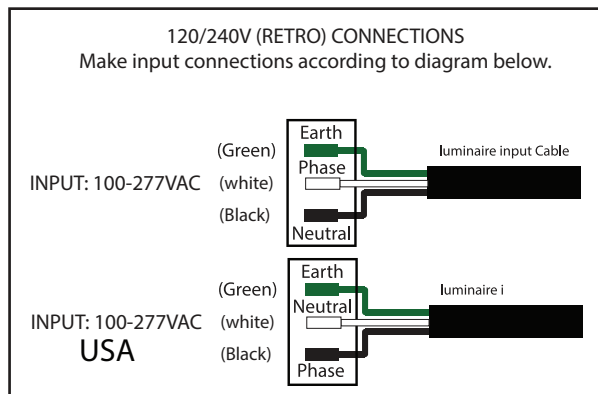
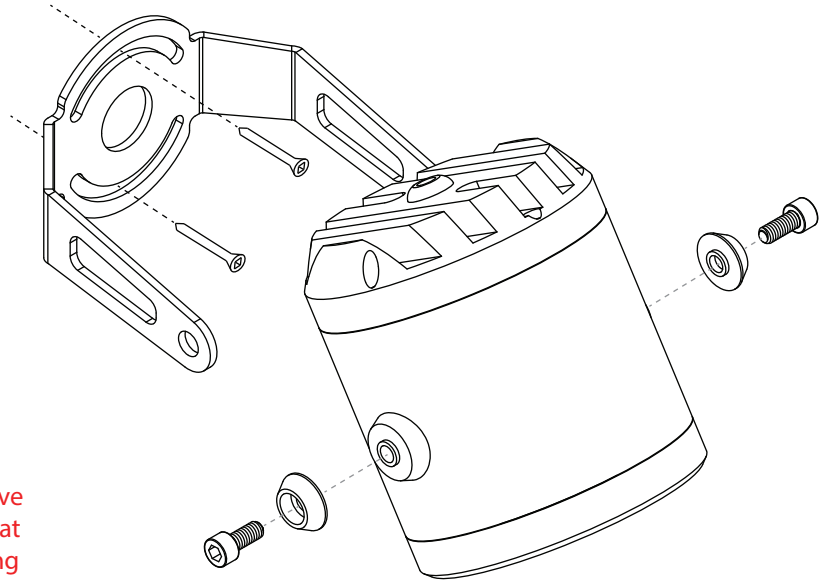
ULTRA 12 SPOT Installation instructions

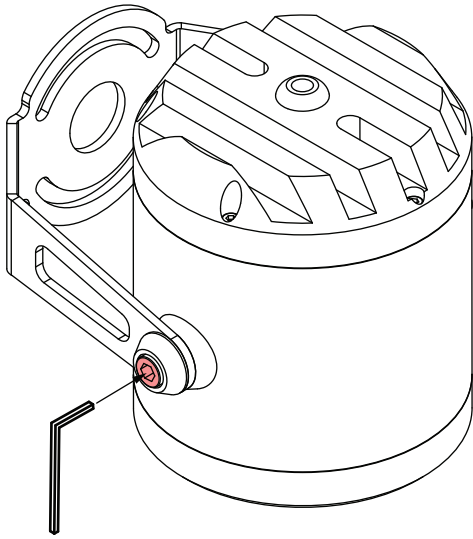
Follow Diagram opposite to correctly fix the Bracket to the desired surface. Fixing screws are provided however some mediums may require different fixing hardware. If so please ensure the fixing hardware is adequate to take the weight of the fixture.

After the Bracket has been fixed in place make the input connections. All connections should be water tight to stop water ingress into the fixture via power cables. See diagrams below

Warning: Do not connect secondary side (output) of a live driver to the Fixture. This will cause a spike in voltage that can damage the LED. When connecting or disconnecting the fitting always ensure the 120/240V power supply is disconnected.

When using a photocell and/or timer we recommend using devices with relay outputs as opposed to electronic. The high frequency of electronic devices can lead to failure of the LED driver.

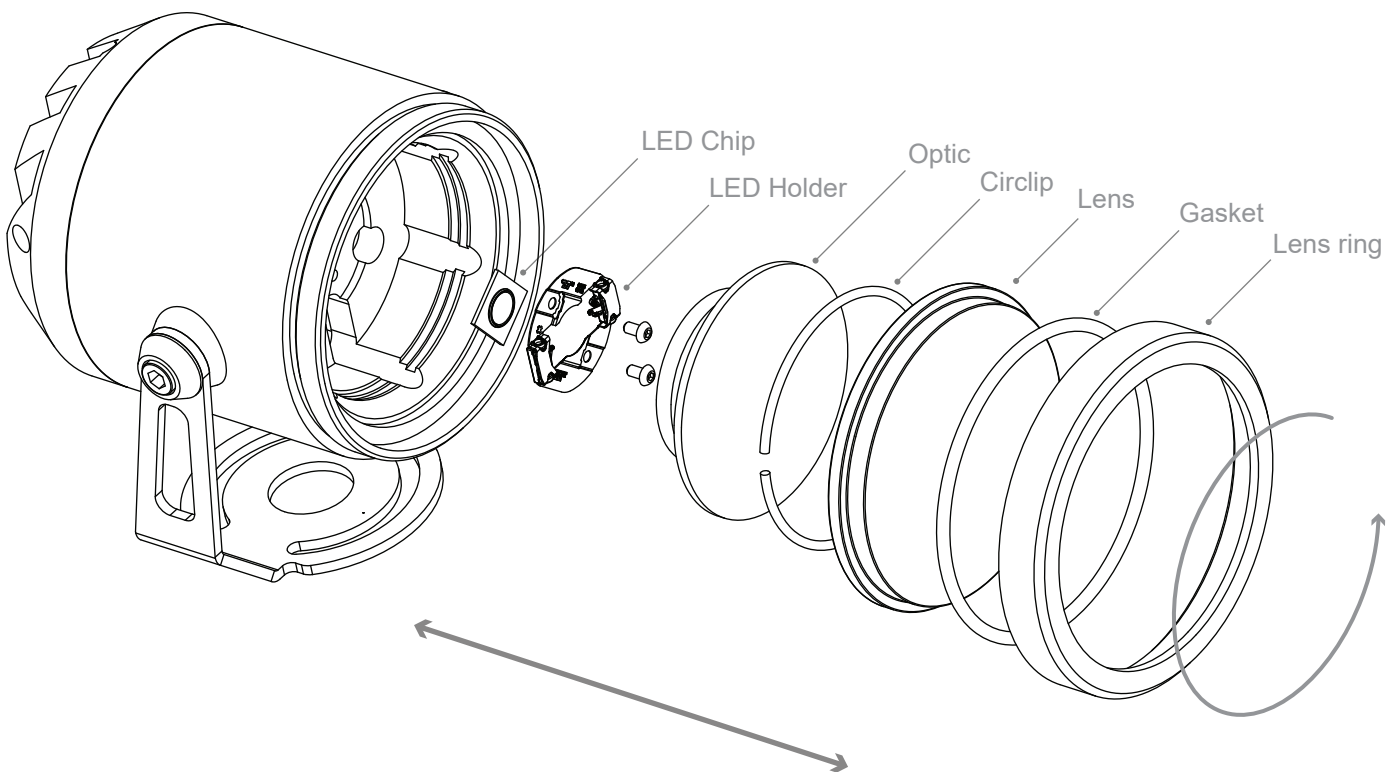
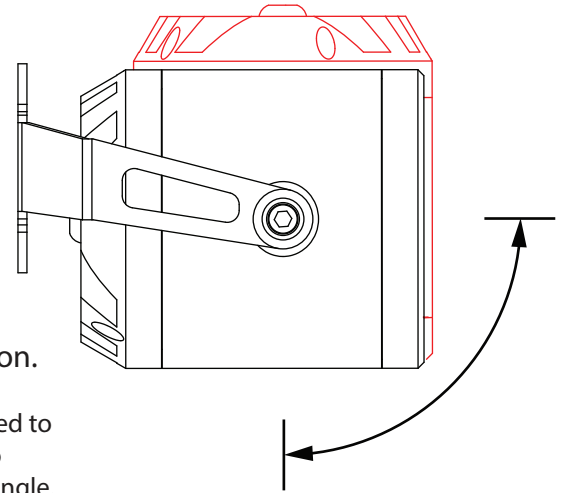




Adjusting Head position.

Use Hex (allen) key provided to loosen indicated screws to adjust rotation and head angle.

Once desired positioning is achieved tighten screws to lock in place



LED replacement

Unscrew Lens ring. Remove lens, gasket, circlip and optic. Pay close attention to component order. Unscrew two M3 screws on the LED holder. The LED chip can now be changed. Make sure correct polarity connection is made between LED chip and the LED holder. Reverse action to seal luminaire making sure components are replaced in correct order. Incorrect order can lead to failure of LED and/or leaking. Please ensure no dirt or grit is present around lens or gasket.

Do not water blast/jet wash this fixture under any circumstance