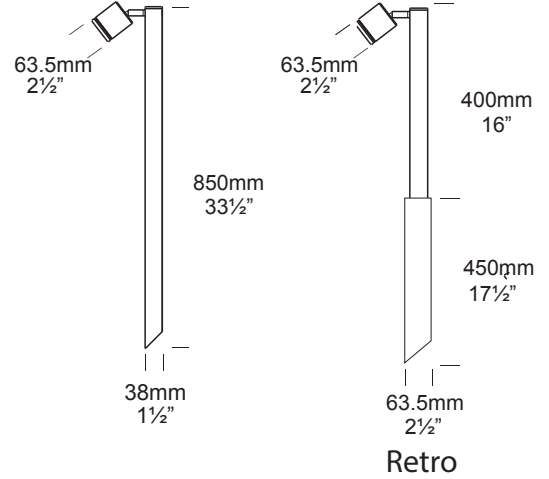


|          |
|----------|
| PROJECT: |
| TYPE:    |
| SOURCE:  |
| NOTES:   |

### PURELED SPECIFICATIONS

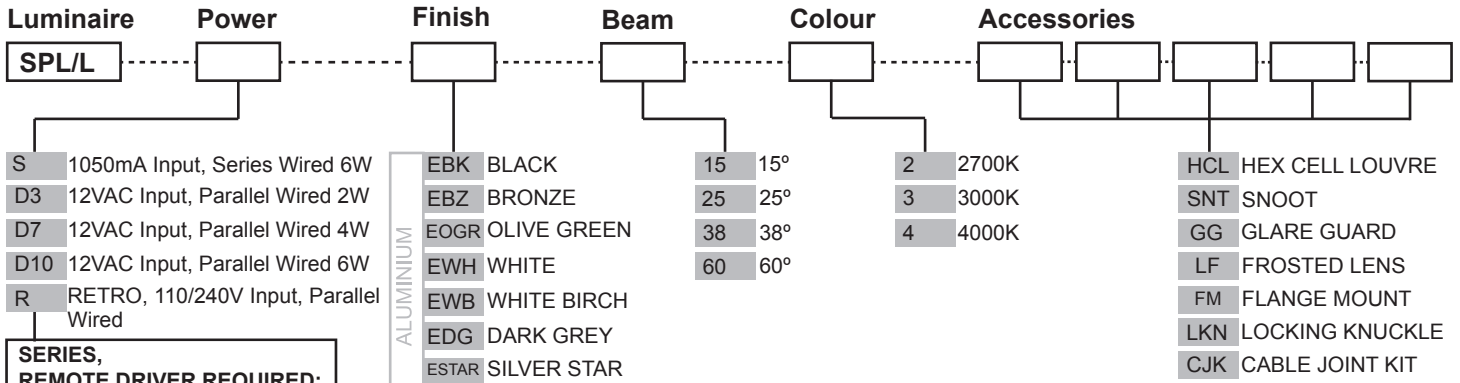
|                            |  |
|----------------------------|--|
| <b>LED Chip</b>            | Cree XHP-50-2 Plug and Play field replaceable LED board  |
| <b>Luminaire Output</b>    | 600 Lumens @ 1050mA (6 watts),<br>420 Lumens @ 700mA (4 watts),<br>240 Lumens @ 350mA (2 watts),<br>delivered from luminaire with unobstructed beam. |
| <b>Lumens Per Watt</b>     | 100 Lumens minimum @ 6 watts,<br>delivered from luminaire with unobstructed beam   |
| <b>CRI (3000K)</b>         | 90+  |
| <b>Colour Temperatures</b> | 2700K, 3000K, 4000K  |
| <b>Beam Angles</b>         | 15, 25, 38, 60   |
| <b>Ingress Protection</b>  | IP56/IP66  |
| <b>Warranty</b>            | Electronics = 5 years<br>Body Cop/SS = 10 years<br>Body Aluminium = 5 years  |
| <b>Standards</b>           | AS/NZS 61046<br>cUL 1838, 2108<br>CSA C22.2 No.250.7, No.250.0-08<br>CE  |



### PRODUCT CONFIGURATION

Please fill in appropriate codes into boxes provided

Cat. No. SPL/L



**SERIES, REMOTE DRIVER REQUIRED:**  
Constant current driver  
Individual fixtures require 6vdc @ 1050mA maximum  
**12VAC INTEGRAL DRIVER:**  
Hunza integrated plug and play driver (included)  
Input: 9-15VAC, 7watt total  
Output: 6vdc @ D3=350mA, D7=700mA, D10=1050mA (1050mA limited to ≤ 40°C (104°F) ambient temperature in stainless steel)  
**110/240VAC RETRO DRIVER:**  
Input: 120/240vac, 5 watt total (included)  
Output: 6vdc, 700mA (non dimming)

**OTHER LAMP OPTIONS:**  
SPL/H - MR16 Halogen 12V Lamp  
SPL/SL - MR16 LED Retrofit 12V Lamp (lamps vary by market - please refer to supplier for details)  
SPL/GUH - GU10 120/240V Halogen Lamp (body length increases for all GU10 lamps)  
SPL/GUSL - GU10 LED Retrofit 120/240V Lamp (lamps vary by market - please refer to supplier for details)

[Click here for halogen specification sheet](#)

[Click here for 240v Remote Power Supply Guidance Charts](#)  
[Click here for USA Remote Power Supply Guidance Charts](#)

# LUMINAIRE CONSTRUCTION

**CNC machined from one of the following metals:**

**Aluminium**

Body: solid high corrosion resistant 63.5mm (2<sup>1/2"</sup>) x 10mm (3/8") aluminium.  
 End cap: solid aluminium 63.5mm (2<sup>1/2"</sup>) rod, with chromate substrate and high UV resistant polyester powder coat.  
 Pole: aluminium 38mm (1<sup>1/2"</sup>) tube.  
 Colours:  
 Black, Bronze, Silver Star, White, White Birch, Olive Green, Dark Grey, Corten.

**Copper**

Body: 63.5mm (2<sup>1/2"</sup>) x 10mm (3/8").  
 End cap: solid copper 63.5mm (2<sup>1/2"</sup>) rod.  
 Pole: solid 38mm (1<sup>1/2"</sup>) tube.

**316 Stainless Steel**

Body: 63.5mm (2<sup>1/2"</sup>) x 10mm (3/8").  
 End cap: solid 316 stainless steel 63.5 (2<sup>1/2"</sup>)  
 Pole: 316 stainless steel 38mm (1<sup>1/2"</sup>) tube.

**Knuckles:**

Aluminium and Copper luminaires - 360° rotation and 0-90° elevation, solid brass with anti rust spring.  
 Stainless Steel luminaires - 360° rotation and 0-90° elevation, full stainless steel construction.

**Step Lens:**

10mm (3/8") Extra clear, low iron, shatter resistant glass.  
 Lifetime warranty.

**Gaskets:**

Silicone, iron impregnated 220°C (428°F)

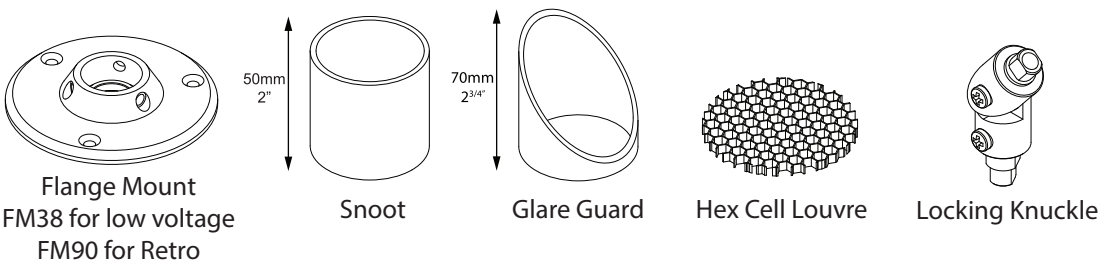
**Mounting**

The pole 800mm (31<sup>1/2"</sup>) is directly mounted into the earth or concrete.  
 Flange Mount option is available for hard surfaces.

**Luminaire Weight:**

Low voltage  
 Alum: 1.000kg (2lb 3oz)  
 Cop: 2.300kg (5lb 1oz)  
 SS: 2.100kg (4lb 10oz)  
 Retro™  
 Alum: 2.100kg (4lb 10oz)  
 Cop: 3.300kg (7lb 4oz)  
 SS: 3.100kg (6lb 13oz)

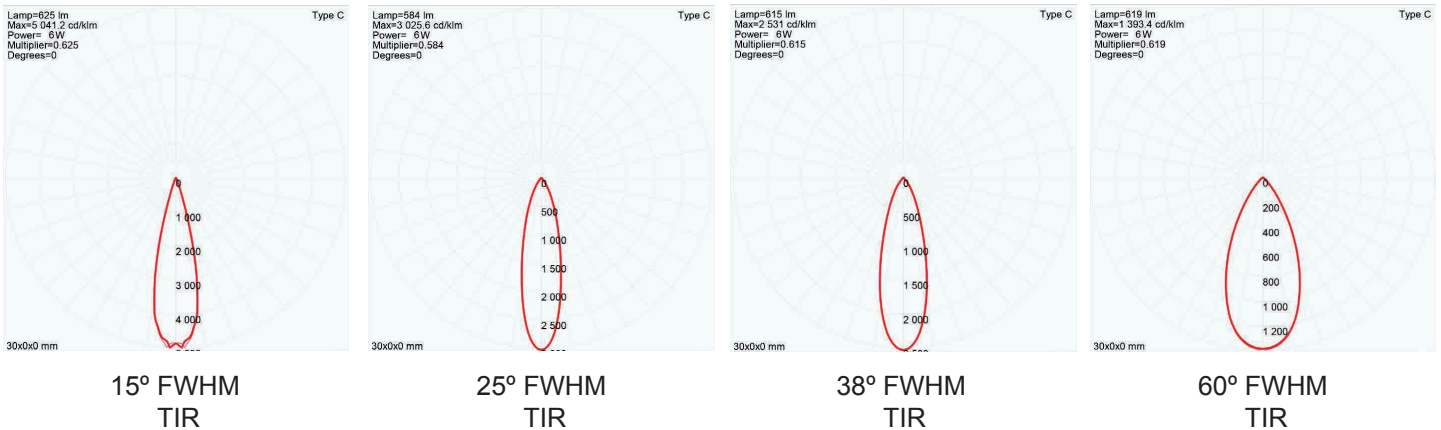
## ACCESSORIES



## BEAM ANGLES

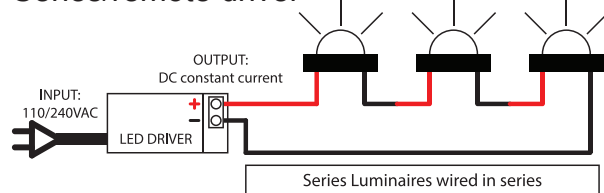
High efficiency PMMA TIR lenses. Field replaceable

IES files available for download: [hunzalighting.com/downloads](http://hunzalighting.com/downloads)

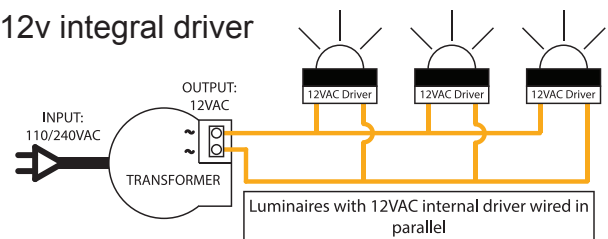


## WIRING GUIDE

Series/remote driver



12v integral driver



Diagrams are a guide only, wire colours and polarity may change depending on fixture and country

Available for download: [hunzalighting.com/downloads](http://hunzalighting.com/downloads)

Specifications may change without notification

Aug 2017