

Hunza Washer Installation instructions

Install the canister according to diagram opposite.

Remove the luminaire from the canister. Set the canister in the desired position. The canister can be installed in both vertical and horizontal surfaces. Make sure the top of the canister is level and flush with the finished floor/surface height. Fit the conduit to the canister making sure all joints are water tight and pre wired with low voltage cable. Cover/seal the top of canister while concrete is poured and/or tiles are grouted.

Once ground works are complete, make a waterproof connection using heavy walled adhesive lined heat shrink between luminaire input cable and low voltage cable. Be sure to leave enough cable to allow the luminaire to be removed from the canister should servicing be required.

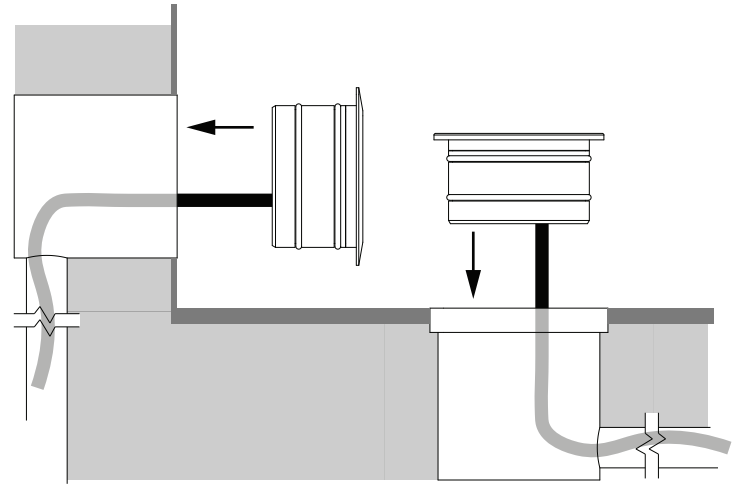
See diagram below for correct wiring.

Once connections are made slide luminaire into Canister. check orientation is correct to achieve illumination on desired surface

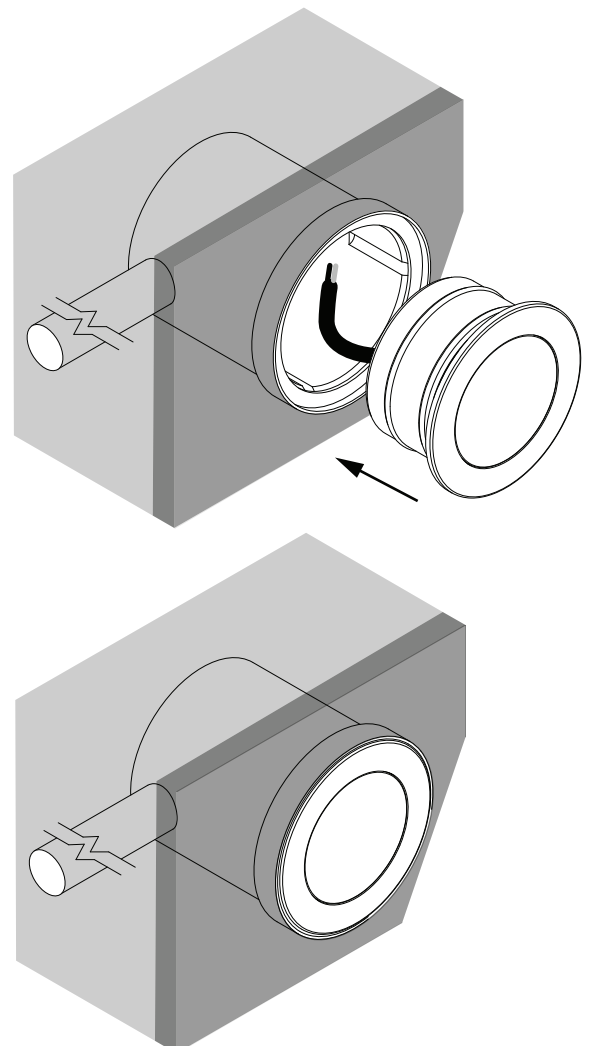
Warning: Do not connect secondary side (output) of a live driver to the fixture. This will cause a spike in voltage that can damage the LED. When connecting or disconnecting the fitting always insure the 120/240V power supply is disconnected.

When using a photocell and/or timer we recommend using devices with relay outputs as opposed to electronic. The high frequency of electronic devices can lead to failure of the LED driver.

Vertical surface mounting

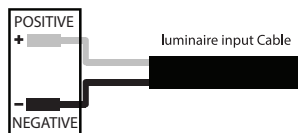


Horizontal surface mounting



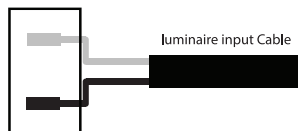
REMOTE DRIVEN (SERIES) CONNECTIONS Make input connections according to diagram below.

DRIVER OUTPUT: (white)
CONSTANT
CURRENT 1050mA
Max, 9Vdc (Black)



12VAC (PARALLEL) CONNECTIONS Make input connections according to diagram below.

TRANSFORMER (white)
OUTPUT:
12VAC (Black)



Correct Luminaire orientation:

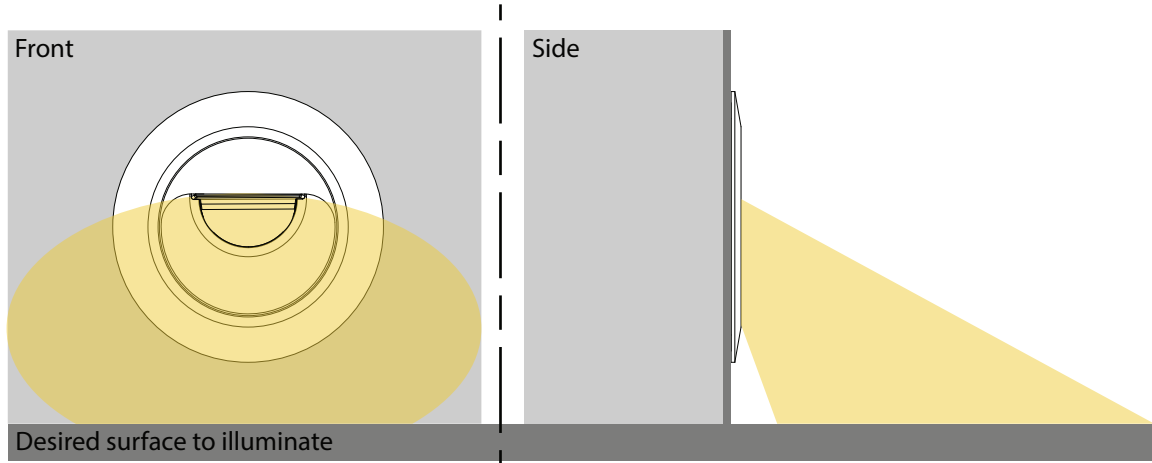
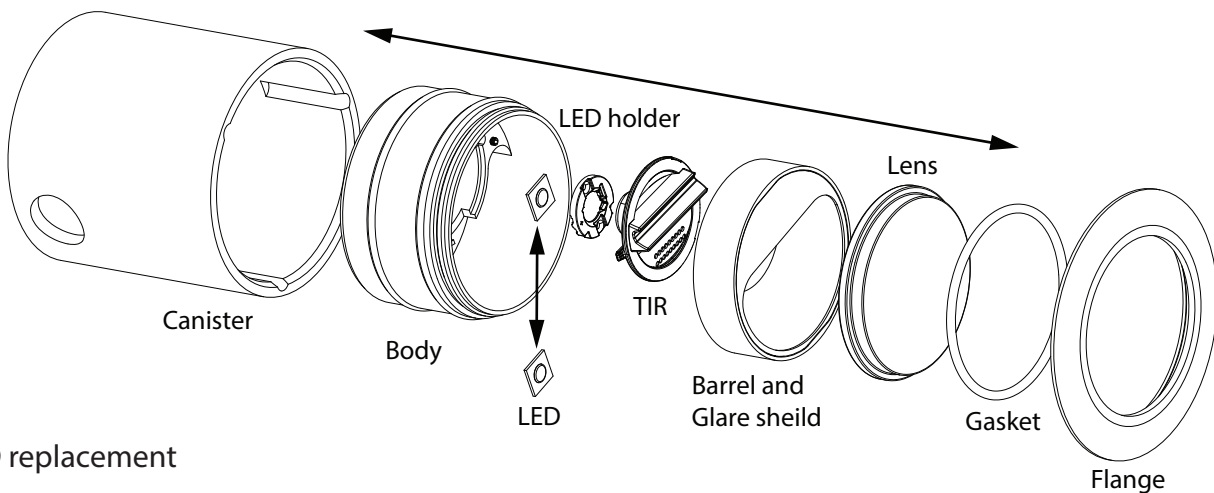


Diagram shows a luminaire mounted in vertical surface. The same concept applies if the luminaire is mounted in a horizontal surface.



LED replacement

Remove luminaire from the canister. Unscrew the flange. Remove Lens, Gasket, Barrel, Glare Shield and TIR. Pay close attention to component order. The LED holder can now be unscrewed and the LED replaced. Ensure LED polarity is correct. Positive is marked on LED Chip and LED holder. Reverse action to seal making sure components are replaced in correct order. Incorrect order can lead to failure of LED and/or leaking. Please ensure no dirt or grit is present around lens or gasket.

Do not water blast/jet wash this fixture under any circumstance