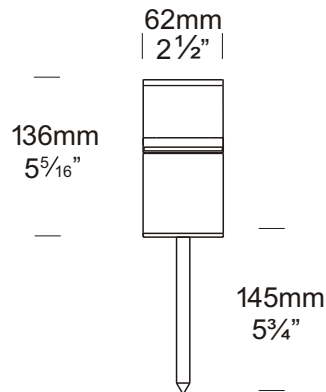
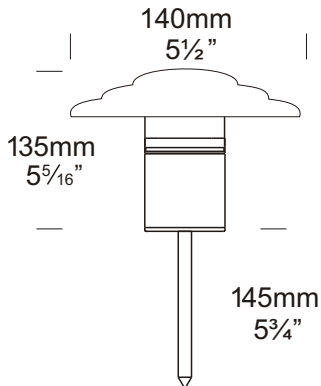


Fern Lite

Cat. No. FN
 Cat. No. FNNH
 Cat. No. FNG9



The Fern Lite is suitable for illumination of low level foliage. Light is emitted on a horizontal plane through UV stable acrylic lens with anti-glare mesh around 360 degrees. The luminaire uses a 5, 10 or 20 watt halogen bi-pin lamp and does not project any vertical light due to the anti-glare hood. The Fern Lite with no hood projects very little light due to the lens cap.

This luminaire is machined from a choice of 10mm solid aluminium with a UV stable powder coated finish, 316 stainless steel or solid copper.

A G9 version of this luminaire is also available for line voltage lamps.

Ordering Information

Luminaire Type	Material/Finish	Accessories
FN - Fern Lite	BK - Black BZ - Bronze GN - Green STAR - Silver Star WH - White WB - Birch DG - Dark Grey OG - Olive Green RG - Beige PR - Primrose COP - Copper SS - 316 Stainless Steel	CJK150 - Cable Joint Kit /300 - Ground Spike 300mm (12") G9 - G9 option

Ordering Example: FN COP - Fern Lite in Copper
 FN/300 BK - Fern Lite in Black with 300mm (12") Ground Spike
 FNNH COP - Fern Lite No Hood in Copper
 FNG9 COP - Fern Lite G9 in Copper
 CJK150 - Cable Joint Kit
 (Accessories ordered separately)

HUNZA™ PURE OUTDOOR LIGHTING

HUNZA FACTORY
 130 Felton Mathew Ave
 Glen Innes
 Auckland 1072
 New Zealand

Ph: 64-9-528 9471
 Fax: 64-9-528 9361
hunza@hunza.co.nz
www.hunzalighting.com

INTERNATIONAL CONTACTS:
<http://www.hunzalighting.com/contact.php>

Specifications may change without notice.
 Manufactured in New Zealand.
 © 2016 Hunza Holdings Ltd.

Luminaire Construction

Body: high corrosion resistant 63.5mm (2½") x 10mm (25/64") aluminium.

End cap: Solid aluminium 63.5mm (2½") rod.

Spike: 11.11mm (7/16") aluminium rod.

Hood: 140mm (5½") x 1.2mm (1/16") hand spun aluminium.

With cromate substrate and high UV resistant polyester powder coat

Colours Black, Bronze, Green, Silver Star, White, Birch, Dark Green, Olive Green, Beige, Primrose.

Copper:
Body 63.5mm (2½") x 10mm (13/32"). End cap - solid copper 63.5mm (2½") rod.

Spike: 11.11mm (7/16") copper rod.

Hood: 140mm (5½") x 1.2mm (1/16") hand spun copper.

Mounting

Ground spike 150mm (6") or 300mm (12") directly into the earth.

Features

Lens:

UV stable polycarbonate with anti-glare mesh.

Anti-Glare Hood:

Diameter 140mm (5½"). No upward light or glare projected.

Gasket:

Silicone, iron impregnated 220°C (428°F)

Lamp Holder:

G4 350°C (662°F) ceramic multi contact lamp holder with 250°C (480°F) teflon cables.

G9 - 280°C (536°F) ceramic lamp holder with 250°C (480°F) teflon cables.

Accessories:

Cable Joint Kit (Cat. CJK150).
Not approved for USA /Canada.
Ground Spike 300mm (12") (Cat. /300).
G9 Option (Cat. G9).

Standards

IP66



UL1838

Luminaire Weight

With anti-glare hood:

Alum .75kg (1lb 10oz)

Cop 1.160kg (2lb 1oz)

SS 1.400kg (3lb 1oz)

No hood:

Alum .60kg (1lb 5oz)

Cop 0.960kg (2lb 2oz)

SS 1.2kg (2lb 10oz)

Power Supply

HUNZA™ Inground or Wall Mount Transformer: not included.

USA and Canada:

HUNZA™ Wall Mount Transformer: not included.

Luminaire: supplied with
G4 Bi Pin lamp 5, 10, 20 watt max.

G9 - 25 watt lamp max.

LED - Refer to previous page.

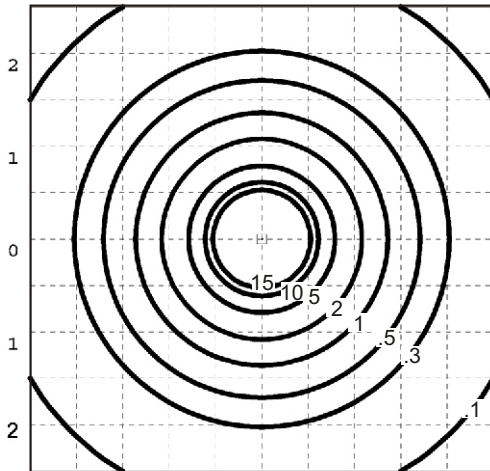
USA and Canada:

G4 5, 10 watt lamp max.

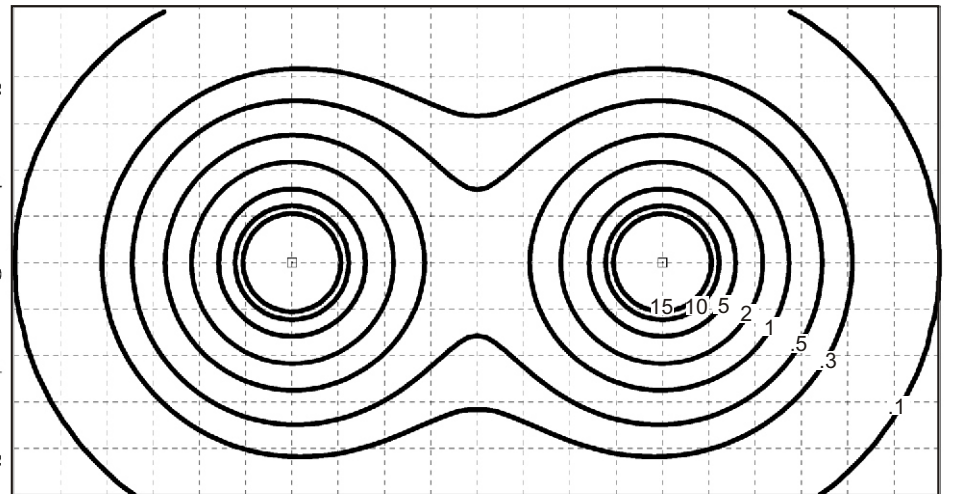
G9 - 25 watt lamp max.

LED - Refer to previous page.

Fern Lite 20 watt G4 Bi-Pin lamp - Lens height 100mm (4") (with anti-glare hood)



METRES



METRES

Isolux Lumens Plot - Footcandles = Isolux figures divided by 10.76

HUNZA™ PURE
OUTDOOR
LIGHTING

HUNZA FACTORY
130 Felton Mathew Ave
Glen Innes
Auckland 1072
New Zealand

Ph: 64-9-528 9471
Fax: 64-9-528 9361
hunza@hunza.co.nz
www.hunzalighting.com

INTERNATIONAL CONTACTS:
[http://www.hunzalighting.com/
contact.php](http://www.hunzalighting.com/contact.php)

Specifications may change without notice.
Manufactured in New Zealand. Ver 1.4
© 2016 Hunza Holdings Ltd.