

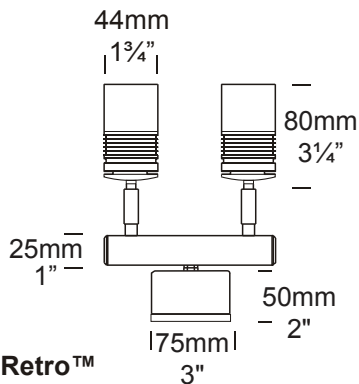
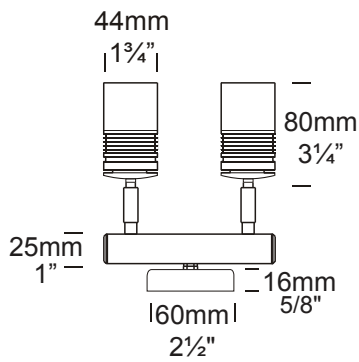
Euro Twin Wall Spot

Cat. No. ETWS
Cat. No. ETWS/R



The Euro Twin Wall Spot has been designed for situations where the luminaire needs to be discreet. The smaller sized MR11 lamp is utilised to achieve this. Each spotlight can be aimed in any direction and have a built in glare guard to reduce glare. This luminaire has fully adjustable arms, allowing 360 degree rotation and 0-90 degree elevation. The Euro Twin Wall Spot has been designed to be mounted on walls and provide directional light for pathways and structural elements of a building.

The Retro version is a 110/240-12 volt AC mains option, suited to an installation where mounting a transformer is a problem. For example, a brick wall where there is only the cable protruding out of the wall and there is no option to recess the transformer. The base increases in size to accomodate the encapsulated IP66 dimmable transformer.



Ordering Information

Luminaire Type	Material/Finish	Accessories
ETWS - Euro Twin Wall Spot	COP - Copper	CJK150 - Cable Joint Kit
ETWS/R - Euro Twin Wall Spot	SS - Stainless Steel	LENSEURF - Frosted Lens

Ordering Example: ETWS COP - Euro Twin Wall Spot in Copper
ETWS/R SS - Euro Twin Wall Spot Retro in Stainless Steel
LENSEURF - Frosted Lens
(accessories ordered separately)

Luminaire Construction

CNC machined from one of the following metals:

Copper

Body: 45.4mm (1¾") x 80mm (3") copper rod.

Base: 2mm (1/16") hand spun copper.

316 Stainless Steel

Body: 45.4mm (1¾") x 80mm (3") stainless steel rod.

Base: 2mm (1/16") hand spun stainless steel.

Mounting

12 volt - The luminaire is mounted to the wall using two 316 stainless steel screws through the shallow base 16mm (5/8") in depth. A Wall Box Adaptor Plate (Cat. WBAP) is available as an accessory to fit 3.0 and 4.0 junction boxes for USA/Canada.

Retro - A mounting plate is fixed to the wall using two screws and the luminaire is fitted to the mounting plate.

Features

Lens

6mm (1/4") clear flush fit shatter resistant glass with Hex Cell Louvre for glare control.

Lifetime Warranty.

Gasket

Silicone, iron impregnated 220°C (428°F).

Lamp Holder

MR11 - 350°C (662°F) ceramic multi contact lamp holder with 250°C (480°F) Teflon cables.

Accessories

Cable Joint Kit (Cat. CJK150). Not approved for USA/Canada.


Frosted Lens (Cat. LENSEURF).

Swivel

Copper luminaire - 360° rotation and 0-90° elevation, solid brass with anti rust spring.

Stainless steel luminaires - 360° rotation and 0-90° elevation, full stainless steel construction.

Standards

IP66, UL1838, 

Luminaire Weight

12 volt - **Copper** - 2.000kg (4lb 6oz)

Stainless Steel - 1.500kg (3lb 3oz)

Retro - **Copper** - 2.006kg (4lb 6oz)

Stainless Steel - 1.730kg (3lb 13oz)

Power Supply

12 volt: Hunza Inground or Wall Mount Transformer: not included.

USA and Canada

Hunza Wall Mount Transformer: not included.

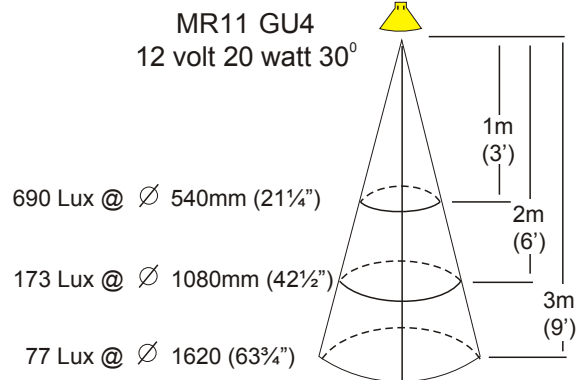
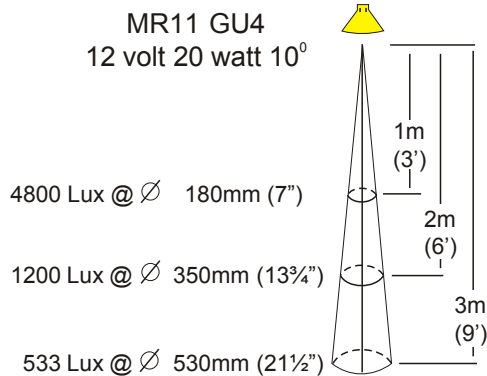
Retro: Hunza 110/240 12vac potting electronic transformer is built into the base. Dimmable with a suitable dimmer.

Lamp Options

MR11 - 20 watt lamp max.

USA and Canada

MR11 - 10 watt lamp max.



HUNZA™ PURE
OUTDOOR
LIGHTING

HUNZA FACTORY
130 Felton Mathew Ave
Glen Innes
Auckland 1072
New Zealand

Ph: 64-9-528 9471
Fax: 64-9-528 9361
hunza@hunza.co.nz
www.hunzalighting.com

INTERNATIONAL CONTACTS:
[http://www.hunzalighting.com/
contact.php](http://www.hunzalighting.com/contact.php)
Specification may change without notice.
Manufactured in New Zealand.
© 2016 Hunza Holdings Ltd.