

Euro Single Pole Lite

Cat. No. ESPL
Cat. No. ESPL/R

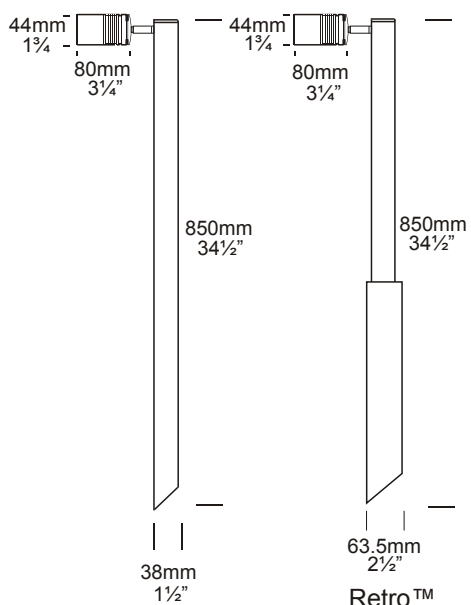


The Euro Single Pole Lite is ideal for path lighting as well as tree lighting, or the head may be aimed downward to eliminate vertical light. Hunza Euro fixtures use miniature MR11 lamps to achieve a contemporary, discreet appearance but are still able to provide excellent illumination. This luminaire has a fully adjustable arm allowing 360 degree rotation and 0 - 90 degree elevation with a built in glare guard.

The Retro™, which is a mains option, avoids the need to bury a transformer. The 110/240-12 volt electronic transformer is built into the pole and is a double insulated safety isolating transformer this changes the luminaire to an IP56 rating.

Ordering Information

Luminaire Type	Material/Finish	Accessories
ESPL - Euro Single Pole Lite	COP - Copper	CJK150 - Cable Joint Kit
ESPL/R - Euro Single Pole Lite Retro	SS - Stainless Steel	LENSEURF - Frosted Lens



Ordering Example: ESPL SS - Euro Single Pole Lite in 316 Stainless Steel
ESPL/R COP - Euro Single Pole Lite Retro™ in Copper
LENSEURF - Frosted Lens
(accessories ordered separately)

Luminaire Construction

CNC machined from one of the following metals:

Copper

Body: 45.4mm (1³/₄" x 80mm (3") copper rod.

Pole: 38mm (1¹/₂" x 850mm (33¹/₂" copper tube.

Retro Pole: 38mm (1¹/₂" x 400mm (15³/₄" and 63.5mm (2¹/₂" x 450mm (17³/₄" copper tube.

316 Stainless Steel

Body: 45.4mm (1³/₄" x 80mm (3") stainless steel rod.

Pole: 38mm (1¹/₂" x 850mm (33¹/₂" stainless steel tube.

Retro Pole: 38mm (1¹/₂" x 400mm (15³/₄" and 63.5mm (2¹/₂" x 450mm (17³/₄" stainless steel tube.

Mounting

Pole 850mm (33¹/₂" directly mounted into the earth. Retro™ set in concrete.

Features

Lens

6mm (1/4") clear flush fit shatter resistant glass with Hex Cell Louvre for glare control.

Lifetime Warranty.

Gaskets

Silicone, iron impregnated 220°C (428°F).

Lamp Holder

MR11 - 350°C (662°F) ceramic multi contact lamp holder with 250°C (480°F) Teflon cables.

Accessories

Cable Joint Kit (Cat. CJK150).

Not approved for USA /Canada.

Frosted Lens (Cat. LENSEURF).

Swivel

Copper luminaires - 360° rotation and 0-90° elevation, solid brass with anti rust spring.

Stainless steel luminaires - 360° rotation and 0-90° elevation, full stainless steel construction.

Standards

IP56/IP66, UL1838, 

Luminaire Weight

12 volt - **Copper** - 1.900kg (4lb 3oz)

Stainless Steel - 1.550kg (3lb 6oz)

Retro - **Copper** - 2.800kg (6lb 2oz)

Stainless Steel - 2.600kg (5lb 11oz)

Power Supply

12 volt - Hunza Inground or Wall Mount Transformer: not included.

USA and Canada

Hunza Wall Mount Transformer: not included.

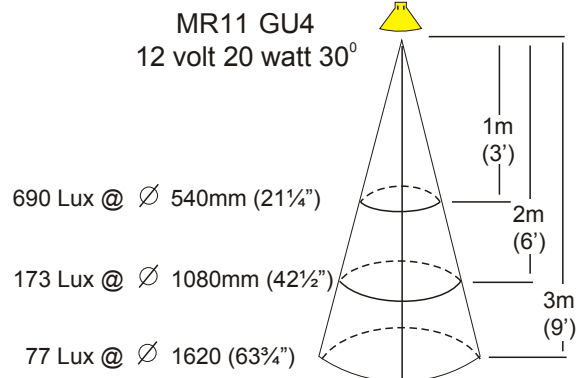
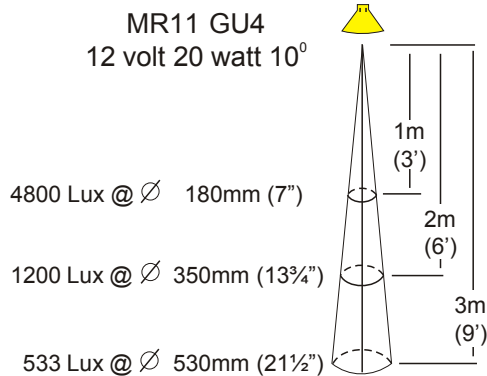
Retro - Hunza 110/240-12 volt ac potted electronic transformer is built into the pole. Dimmable with a suitable leading edge dimmer.

Lamp Options

MR11 - 20 watt lamp max.

USA and Canada

MR11 - 10 watt lamp max.



HUNZA™ PURE
OUTDOOR
LIGHTING

HUNZA FACTORY
130 Felton Mathew Ave
Glen Innes
Auckland 1072
New Zealand

Ph: 64-9-528 9471
Fax: 64-9-528 9361
hunza@hunza.co.nz
www.hunzalighting.com

INTERNATIONAL CONTACTS:
[http://www.hunzalighting.com/
contact.php](http://www.hunzalighting.com/contact.php)

Specification may change without notice.
Manufactured in New Zealand.
© 2016 Hunza Holdings Ltd.