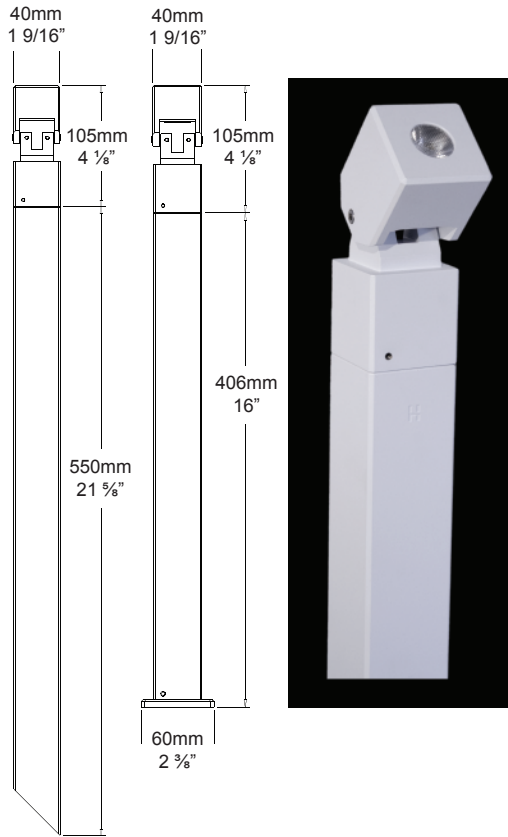


Cube Pole Spot PURE LED

Cat. No. CPS



PURE LED
Pure Performance



The Cube Pole Spot is ideal for path lighting or tree lighting. It has a fully adjustable head.

The Cube Pole Spot is constructed from solid Aluminium finished with a polyester UV stable powder coat, or from solid 316 Stainless Steel with an electropolished finish.

The Hunza PURE LED system uses Cree XTE chips for maximum performance and long life. Power supply is a remote 12 volt driver (series connection). The PURE LED system incorporates HUNZA's Plug-and-Play system for easy replacement of the LED light engine. Four beam angles and a choice of 3000K, 4000K, 5000K and Blue colour temperatures are available.

Ordering Information

Luminaire	Driver mA	Beam Angle	Colour Temp	Accessories	Material/Finish
CPS	S - Series D3 - 12v 350mA D7 - 12v 700mA	15 - 15° TIR Lens 25 - 25° TIR Lens 45 - 45° TIR Lens 60 - 60° TIR Lens	3 - 3000K 4 - 4000K 5 - 5000K B - Blue	FM - Flange Mount CJK - Cable Joint Kit	BK - Black BZ - Bronze WH - White STAR - Silver Star SS - 316 Stainless

Ordering Example: CPS S 15 3 FM BK

HUNZATM
PURE
OUTDOOR
LIGHTING

HUNZA FACTORY
130 Felton Mathew Ave
Glen Innes
Auckland 1072
New Zealand

Ph: 64-9-528 9471
Fax: 64-9-528 9361
hunza@hunza.co.nz
www.hunza.co.nz

INTERNATIONAL CONTACTS:
www.hunza.co.nz/contacts.php

Specifications may change without notice.
Manufactured in New Zealand.
© 2013 Hunza Holdings Ltd.

Luminaire Construction

CNC machined from one of the following metals:

Aluminium

Pole: High corrosion resistant 40mm (1 9/16") x 4mm (3/16") aluminium square tube
Head: 40mm (1 9/16") x 40mm (1 9/16") solid aluminium, with chromate substrate and high UV resistant polyester powder coat.
Colours: Black, Bronze, White, Silver Star.

Stainless Steel

Pole: 40mm (1 9/16") x 4mm (3/16") 316 Stainless Steel square tube.
Head: 40mm (1 9/16") x 40mm (1 9/16") solid 316 Stainless Steel

Mounting

Set in concrete in the ground or specify with flange mount option, which bolts into concrete, tiling or wooden deck.

Features

Lens:

TIR lens with lifetime warranty.

Gasket:

Silicone, iron impregnated 220°C (428°F)

LED

Cree XTE Plug and Play, field replaceable LED board.

Lumen Output: up to 200 lm

CRI Warm White (3000k): 85+

Colour Temp: 3,000K, 4,000K, 5000K, and Blue.

Driver

12 volt ac/dc Hunza driver 350mA or 700mA.

Remote Driver (series) Hun1050 1050mA max. dimmable.

Accessories:

Cable Joint Kit (Cat. CJK150)

Flange Mount (Cat. FM)

Standards

IP66
AS/NZS 61046

Power Supply

12 volt ac/dc Hunza driver

Input: 12 vac/vdc 4 watt

Output: 3.0 vF 350mA

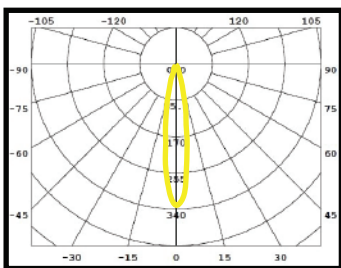
3.0 vF 700mA

Remote Hunza 1050mA driver.

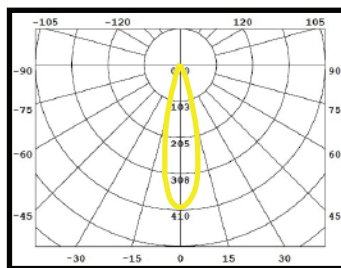
Luminaire supplied with:

Cree XTE 1-3 watt Plug and Play replaceable LED board.

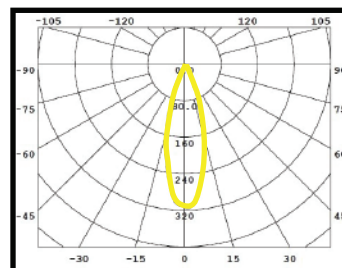
Reflector Beam Angles



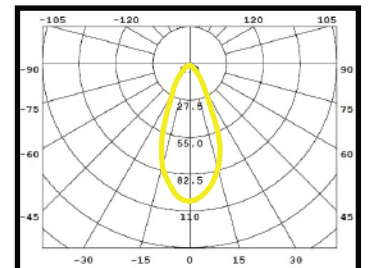
15° TIR Lens



25° TIR Lens



45° TIR Lens



60° TIR Lens

HUNZA™ PURE
OUTDOOR
LIGHTING

HUNZA FACTORY
130 Felton Mathew Ave
Glen Innes
Auckland 1072
New Zealand

Ph: 64-9-528 9471
Fax: 64-9-528 9361
hunza@hunza.co.nz
www.hunza.co.nz

INTERNATIONAL CONTACTS:
www.hunza.co.nz/contacts.php

Specifications may change without notice.
Manufactured in New Zealand.
© 2013 Hunza Holdings Ltd.